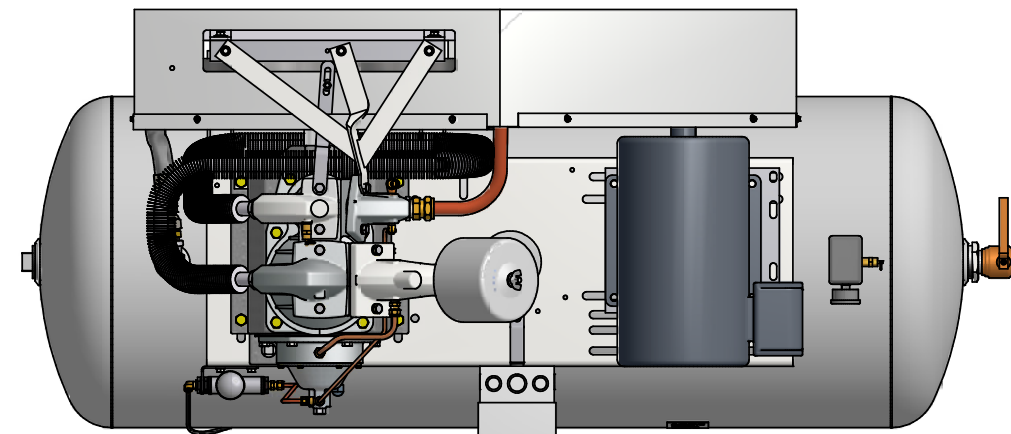
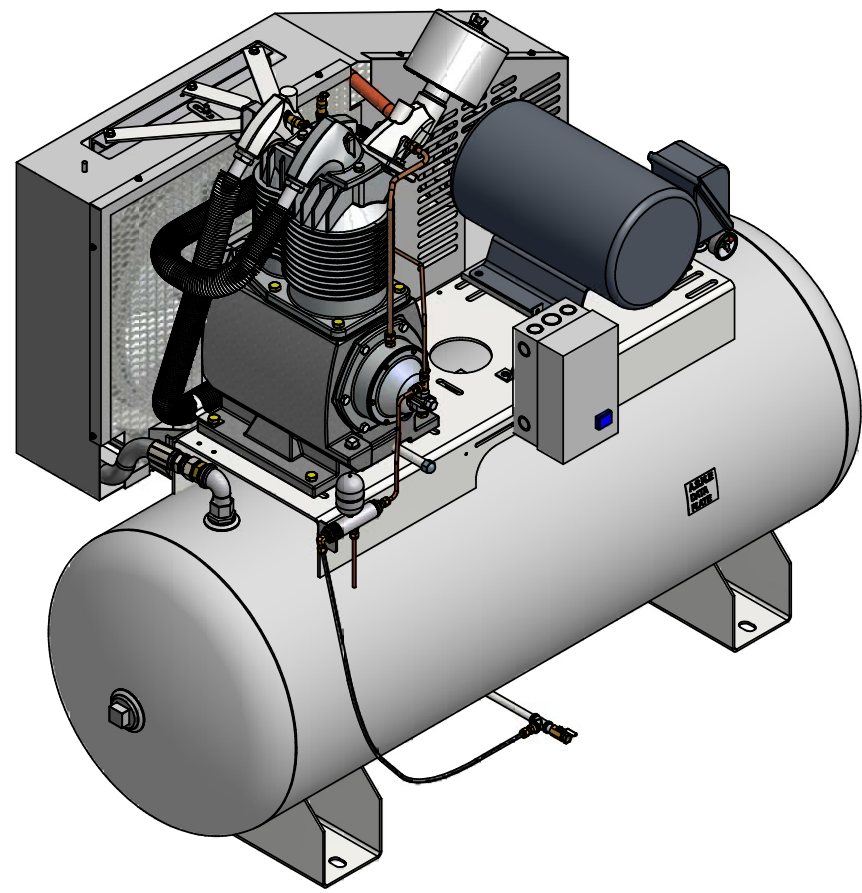


REVISION HISTORY		DATE	DWN	CHK
ZONE	REV	DESCRIPTION		
	A	RELEASED PER ECN 1080943		



STARTER (OPTIONAL)

COMPRESSOR: R40A

MOTOR: 15HP

PRESSURE SWITCH

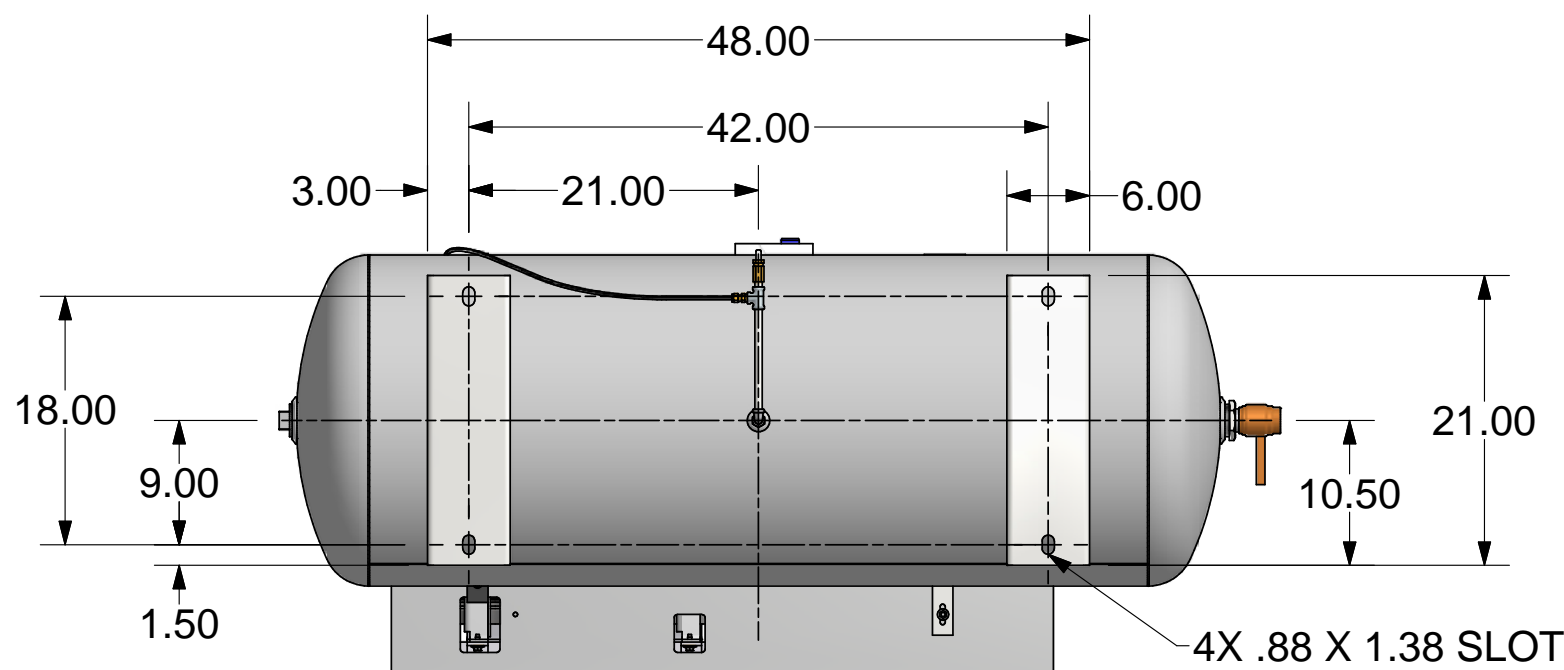
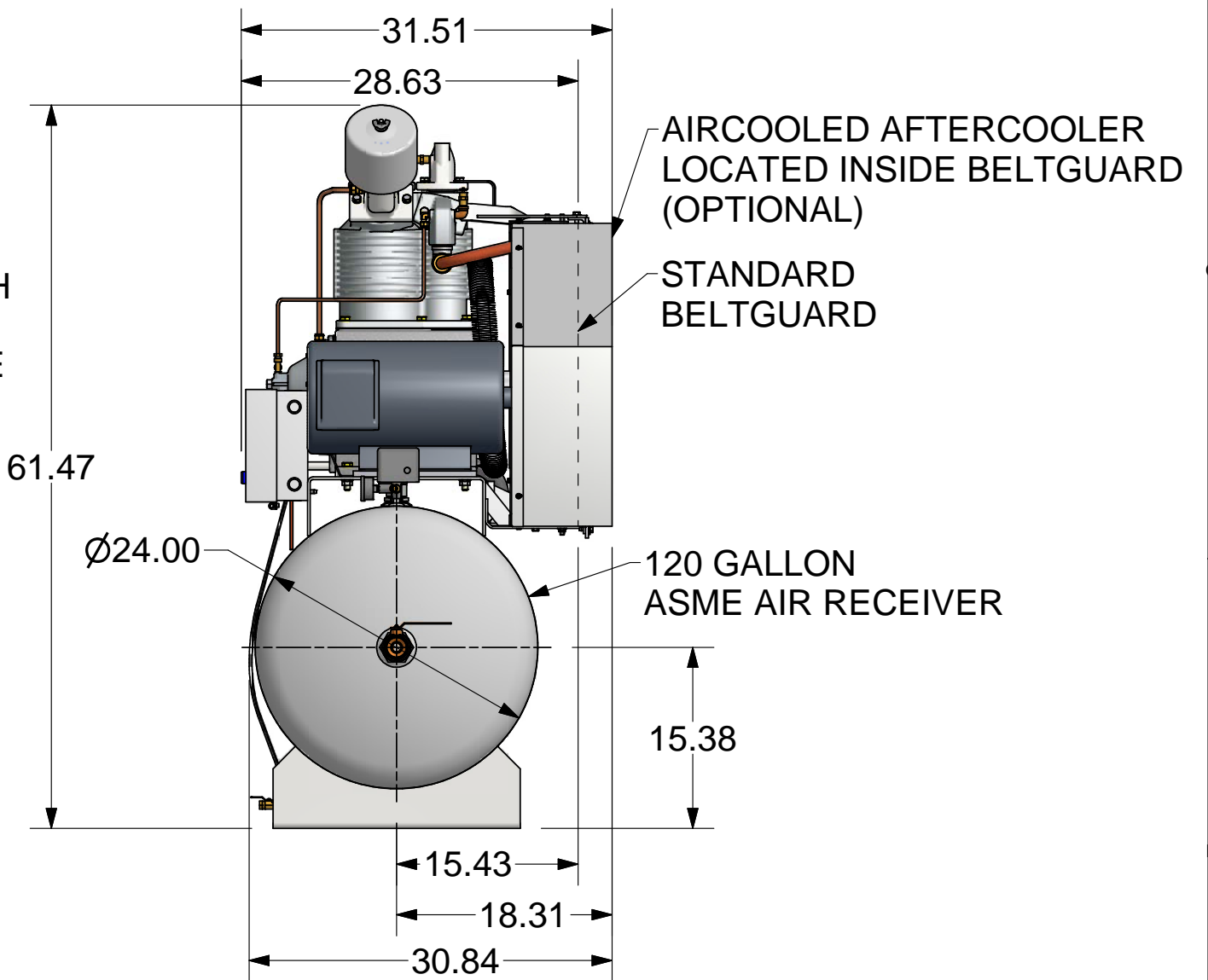
PRESSURE GAUGE

ASME PRESSURE RELIEF VALVE

AUTOMATIC TANK DRAIN (OPTIONAL)

1-1/4" NPT VALVE

1/4" NPT MANUAL TANK DRAIN



- NOTES:
- DO NOT SCALE DRAWING.
 - SPECIFICATIONS AND DIMENSIONS ARE SUBJECT TO CHANGE WITHOUT NOTICE OR OBLIGATION.
 - ALL DIMENSIONS IN INCHES.
 - ADD 1.00" TO HEIGHT FOR VIBRATION ISOLATION OPTION.

FINISH OF CHAMFERS AND FILLETS TO CONFORM TO ROUGHEST ADJACENT AREA. SURFACE ROUGHNESS MAXIMUM PER ASME B46.1. FULL THREAD DEPTHS ARE MINIMUM.		CONFIDENTIAL - THE INFORMATION CONTAINED IN THIS DOCUMENT IS THE PROPERTY OF GARDNER DENVER, INC. IT IS NOT FOR PUBLIC DISCLOSURE. POSSESSION OF THE INFORMATION DOES NOT CONVEY ANY RIGHT TO LOAN, SELL OR DISCLOSE THE INFORMATION. UNAUTHORIZED REPRODUCTION OR USE OF THE INFORMATION IS PROHIBITED. THIS DOCUMENT IS TO BE RETURNED TO GARDNER DENVER, INC. UPON THE COMPLETION OF THE PURPOSE FOR WHICH IT IS LOANED OR UPON REQUEST.																	
UNLESS OTHERWISE SPECIFIED DIMENSIONS ARE IN INCHES TOL. ON DECIMALS: .X = ± .05 TOL. ON DECIMALS: .XX = ± .02 TOL. ON DECIMALS: .XXX = ± AS SPECIFIED TOL. ON ANGLES: ± 0°-30'		DIMENSIONING AND TOLERANCING PER ASME Y14.5-2009 THREADS PER ASME B1.1 GAGING SYSTEM 21 U.O.S., ANSI B1.20.1 & B1.20.3																	
THIRD ANGLE PROJECTION		<table border="1"> <tr> <td colspan="2">Gardner Denver</td> <td>HEAT TREATMENT</td> <td>ENG. REF:</td> </tr> <tr> <td colspan="2">Gardner Denver Inc. Quincy, IL.</td> <td colspan="2">TITLE: OUTLINE-BARE UNIT</td> </tr> <tr> <td>DWN BY: KWT</td> <td>6/6/2014</td> <td>SIZE: D</td> <td>ENGR. APPROVAL: DA</td> </tr> <tr> <td>CKD BY: DA</td> <td>6/6/2014</td> <td>SCALE: 1/9</td> <td>DWG. NO: 339CAS800</td> </tr> </table>		Gardner Denver		HEAT TREATMENT	ENG. REF:	Gardner Denver Inc. Quincy, IL.		TITLE: OUTLINE-BARE UNIT		DWN BY: KWT	6/6/2014	SIZE: D	ENGR. APPROVAL: DA	CKD BY: DA	6/6/2014	SCALE: 1/9	DWG. NO: 339CAS800
Gardner Denver		HEAT TREATMENT	ENG. REF:																
Gardner Denver Inc. Quincy, IL.		TITLE: OUTLINE-BARE UNIT																	
DWN BY: KWT	6/6/2014	SIZE: D	ENGR. APPROVAL: DA																
CKD BY: DA	6/6/2014	SCALE: 1/9	DWG. NO: 339CAS800																